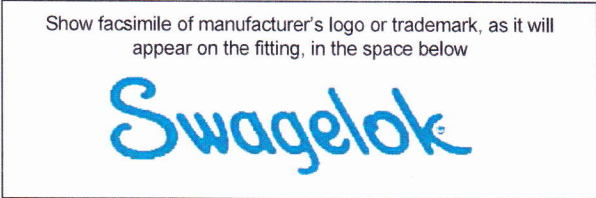




Technical Standards and Safety Authority  
 345 Carlingview Drive  
 Toronto, Ontario M9W 6N9  
 www.tssa.org



## STATUTORY DECLARATION Registration of Fittings

I, Joel Feldman, Vice President of Engineering  
(Name and Position, e.g. President, Plant Manager, Chief Engineer)

of Swagelok Company  
(Name of Manufacturer)

Located at 29500 Solon Road, Solon, Ohio 44139 USA (440) 248-4600 (440) 349-5970  
(Plant Address) (Telephone No.) (Fax No.)

do solemnly declare that the fittings listed hereunder, which are subject to the **Technical Standards and Safety Act**, Boilers and Pressure Vessels Regulation, comply with all of the requirements of ASME B31.1 for unlisted components, and ASME B31.3 for unlisted components  
(Title of recognized North American Standard)  
 which specifies the dimensions, materials of construction, pressure/temperature ratings, identification marking the fittings and service;

or are not covered by the provisions of a recognized North American standard and are therefore manufactured to comply with \_\_\_\_\_ as supported by the attached data which identifies the dimensions, material of construction, pressure/temperature ratings and the basis for such ratings, the marking of the fitting for identification and service.

I further declare that the manufacture of these fittings is controlled by a quality system meeting the requirements of ISO 9001:2015 which has been verified by the following authority, BSI.

The items covered by this declaration, for which I seek registration, are category A. Fittings type fittings. In support of this application, the following information and/or test data are attached as follows:  
ISO 9001:2015 Certificate, Attachment A, Attachment B, Catalog Information and other Support Documents  
(drawings, calculations, test reports, etc.)

Declared before me at SOLON in the STATE of OHIO

the 31 day of JANUARY AD 2023.

Commissioner for Oaths:

JEFFREY C TRUMBULL  
(Printed name)

[Signature]  
(Signature)



**JEFFREY C. TRUMBULL**  
 Notary Public  
 State of Ohio  
 Recorded in Lake County  
 Certificate # 2020-RE-813693  
 My Commission Expires  
 April 15, 2025

[Signature]  
(Signature of Declarer)

### FOR OFFICE USE ONLY

To the best of my knowledge and belief, the application meets the requirements of the **Technical Standards and Safety Act**, Boilers and Pressure Vessels Regulation, and CSA Standard B51 and is accepted for registration in Category A

CRN: \_\_\_\_\_

Registered by: \_\_\_\_\_

Dated: \_\_\_\_\_

**NOTE: This registration expires on: MAY 12, 2033**

<p>Technical Standards and Safety Authority</p>	<p>Boilers and Pressure Vessels Safety Program</p>
REGISTERED	
C.R.N.: 0A24574.5	
Signed: <u>[Signature]</u>	
Date: May 12, 2023.	

*\*Information provided in this application is releasable under the Freedom of Information and Privacy Protection Act and may be disclosed upon request.*



**Attachment B: Scope of CRN Registration for Swagelok TTW Series Thermowell Tees (Category A)**

This document represents the scope of the TTW Series Thermowell Tees covered by this submission for CRN approval. The products have been evaluated in accordance with ASME B31.1-2020 for unlisted components and ASME B31.3-2020 for unlisted components.

**Summary Table**

Product Description or Series	Main Pressure Bearing Component	Main Pressure Bearing Material (Standard)	Port Connections and Sizes	Maximum Rated Pressure (psig)			Design Code of Construction
				Up to 100°F	At 1000°F per ASME B31.1	At 1000°F per ASME B31.3	
TTW Series Thermowell Tees (Straight and Angle Pattern)	Body	F316 SS (ASTM A182) and S31600/S31603 (ASTM A479)	Swagelok Tube Fitting 3/8", 1/2", 5/8", 12MM, 16MM Female 1/2" NPT seal welded	4900	2760	3720	ASME B31.1 (Unlisted Components) and ASME B31.3 (Unlisted Components)
			Swagelok Tube Fitting 3/4", 1", 18MM Female 3/4" NPT seal welded	4600	2590	3490	
			Female NPT 1/2" Male NPT 1/2" Female 1/2" NPT seal welded	4400	2480	3360	
			Female NPT 3/4" Male NPT 3/4" Female 3/4" NPT seal welded	4000	2260	3060	

THIS IS PART OF CRN  
 0A24574.5  
 Technical Standards and Safety Authority  
 Boilers and Pressure Vessels Safety Program

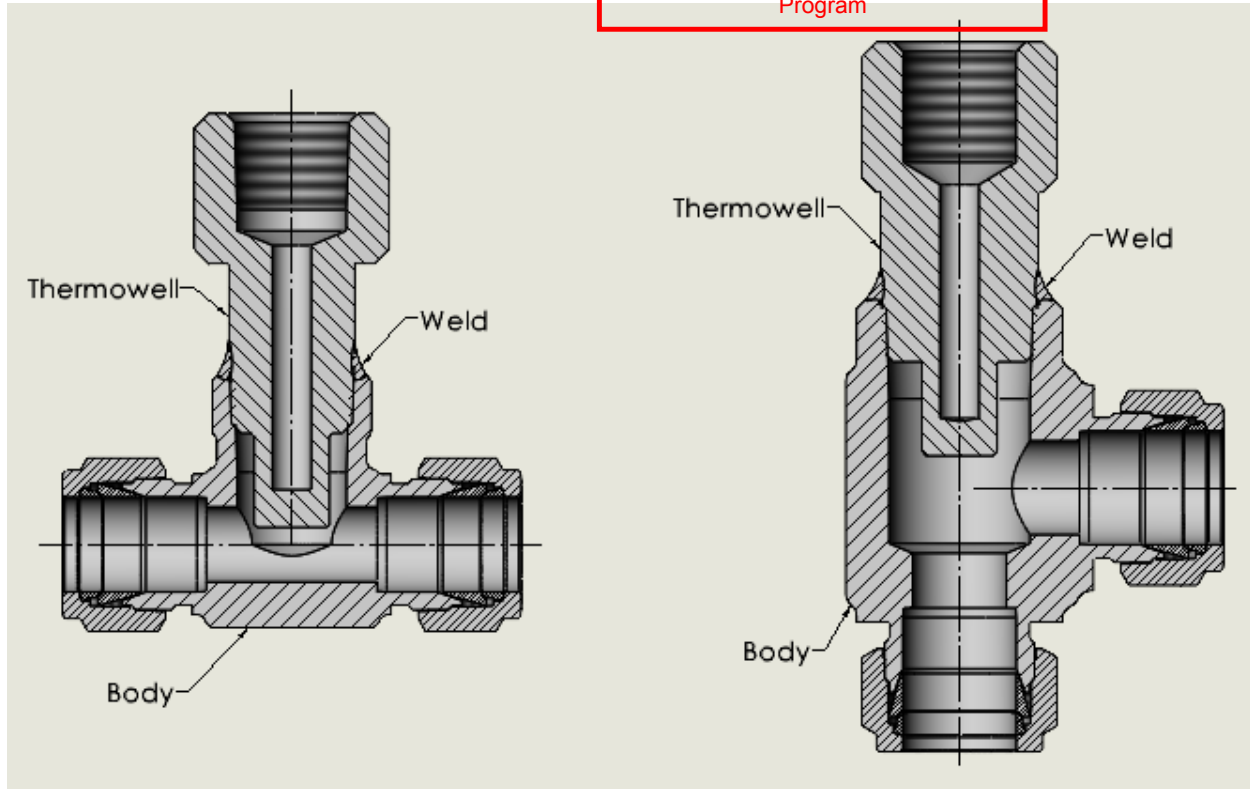
**THIS IS PART OF CRN**

**0A24574.5**

Technical Standards and Safety Authority

Boilers and Pressure Vessels Safety  
Program

## Product Illustration



**Straight Pattern**

**Angle Pattern**

## Typical Product Characteristics

Additional options that do not affect pressure-temperature ratings may be made available within the scope of this registration.

## Quality System

The Swagelok Company quality system complies with the requirements of BS EN ISO 9001:2015. The Swagelok Company maintains BSI Certificate of Registration Number FM 01729, which applies to all locations listed on the Certificate.

## References

Temperature Measurement Devices TTW Series Thermowell Tees Catalog MS-02-353, Rev F

## Attachment A. Swagelok Manufacturing Locations

This document lists the Swagelok locations where end item or component level manufacturing activities take place.

**THIS IS PART OF CRN**

0A24574.5

Technical Standards and Safety Authority  
Boilers and Pressure Vessels Safety  
Program

Swagelok Company 29500 Solon Road Solon, Ohio 44139 USA	Swagelok Company (HPF) 6050 Cochran Road Solon, Ohio 44139 USA
Swagelok Company (OFC) 29495 F.A. Lennon Drive Solon, Ohio 44139 USA	Swagelok Company (Snow Metal) 6060 Cochran Road Solon, Ohio 44139 USA
Swagelok Precision Machining Services 1924 East 337th Street Eastlake, OH 44095 USA	Swagelok (China) Fluid System Technologies Ltd. Changshu Export Process Zone Changshu Economic Development Zone Changshu, Jiangshu 215513 China
Swagelok Company (Highland) 318 Bishop Road Highland Heights, Ohio 44143 USA	Swagelok Company (Strongsville) 15400 Foltz Road Strongsville, Ohio 44119
Swagelok Company (Atlantic) 26651 Curtiss Wright Parkway Willoughby Hills, Ohio 44092 USA	Swagelok Company (Alfred) 29500 Ambina Drive Solon, Ohio 44139
Swagelok Company (Micro) 26653 Curtiss Wright Parkway Willoughby Hills, Ohio 44092 USA	Swagelok Hose Services Company (SHSC) 29900 Solon Industrial Parkway Solon, Ohio 44139
Swagelok Company (Falon 1) 348 Bishop Road Highland Heights, Ohio 44143 USA	Swagelok Limited Ballafletcher Road Tromode IM4 4RA Isle of Man
Swagelok Company (Falon 2) 358 Bishop Road Highland Heights, Ohio 44143 USA	